

THEKLA[®]

MOBILISE CHAIR

caremed
HEALTHCARE EQUIPMENT

Easy to use handset



Full tilt table function



Standing exercise function



Tilt-in-space seating



Description

Layflat for lateral transfers



The Thekla is an advanced mobilisation and rehabilitation chair for critical care, trauma and neuro care:

- ✓ Safely introduce weight bearing at an early stage of rehab
- ✓ Transfer laterally without hoisting
- ✓ An ultra-stable platform for care and therapy

Contact Care-Med today to book your free demo and trial.

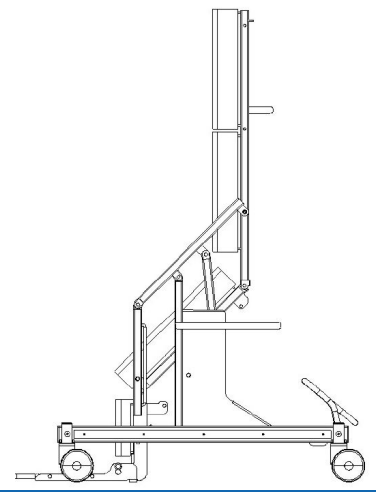
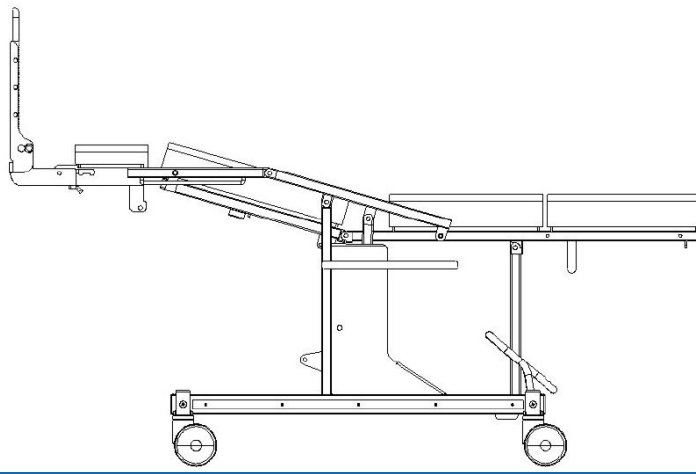
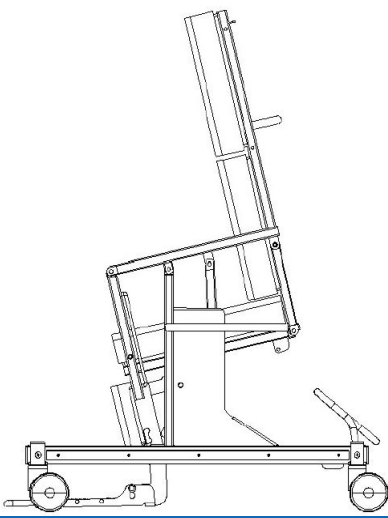
"Very good results,
the best tilt table chair
available",
Snr Physio,
Glasgow Royal.

Bericote Park, Bericote Road,
Blackdown, Leamington Spa,
CV32 6QP. UK.

FREEPHONE 08000 191 246

www.care-med.co.uk

info@care-med.co.uk



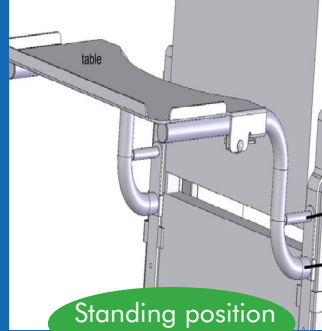
OPTIONAL EXTRAS



Shoulder Supports



Various head support options



Standing position table



Showering kit



Bariatric version

"All I can say is: Very Impressed!",
Physio Team Leader, BRI.

Limit
200KG

OVERALL WIDTH

625mm

PRODUCT WEIGHT

90KG

SEAT HEIGHT (min)

580mm

SEAT HEIGHT (max)

940mm

SAFE WORKING LOAD

200KG

SEAT WIDTH

580mm

OVERALL LENGTH (supine)

2120mm

OVERALL LENGTH (chair position)

1380mm

PRODUCT ORDER CODE

04 05 00

✓ Seamlessly move between seating, tilt table and stand assist modes

✓ Unique hi-lo action with no need to remove arms

✓ Visco-elastic cushioning throughout

✓ Head down CPR function

✓ Waterproof upholstery

✓ 100% lay-flat position

✓ Central locking base